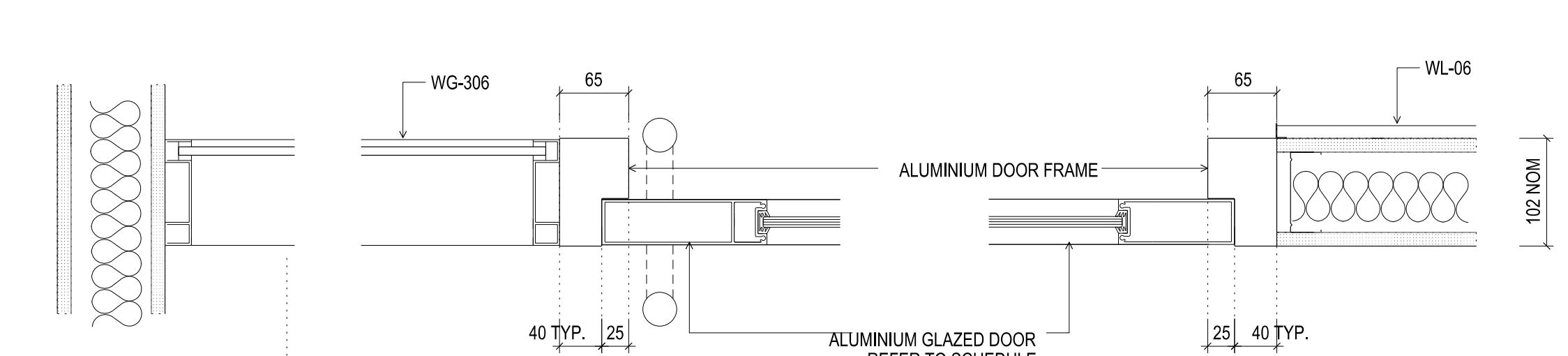


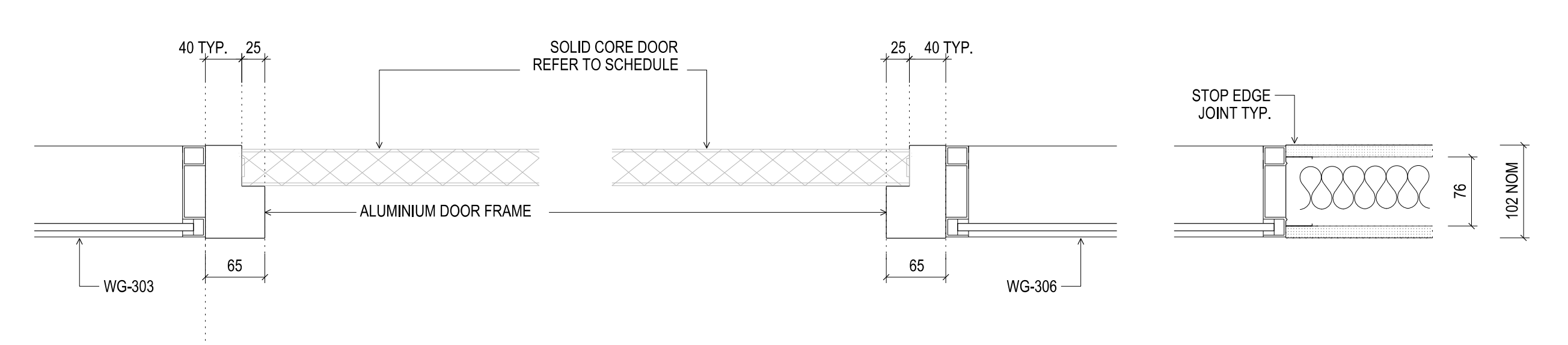
CONTRACTORS SHALL VERIFY DIMENSIONS BEFORE ANY WORK COMMENCES. ALL SHOP DRAWINGS SHALL BE SUBMITTED TO THE SUPERINTENDENT AND MANUFACTURER SHALL NOT COMMENCE PRIOR TO THE RETURN OF APPROVED SHOP DRAWINGS ISSUED BY THE CONSULTANT. DIMENSIONS SHALL TAKE PRECEDENCE OVER SCALES. THIS DRAWING SHALL BE READ IN CONJUNCTION WITH ALL RELEVANT CONTRACT SPECIFICATIONS AND DRAWINGS COPYRIGHT OF THIS DRAWING IS VESTED IN NADAAA

General Notes



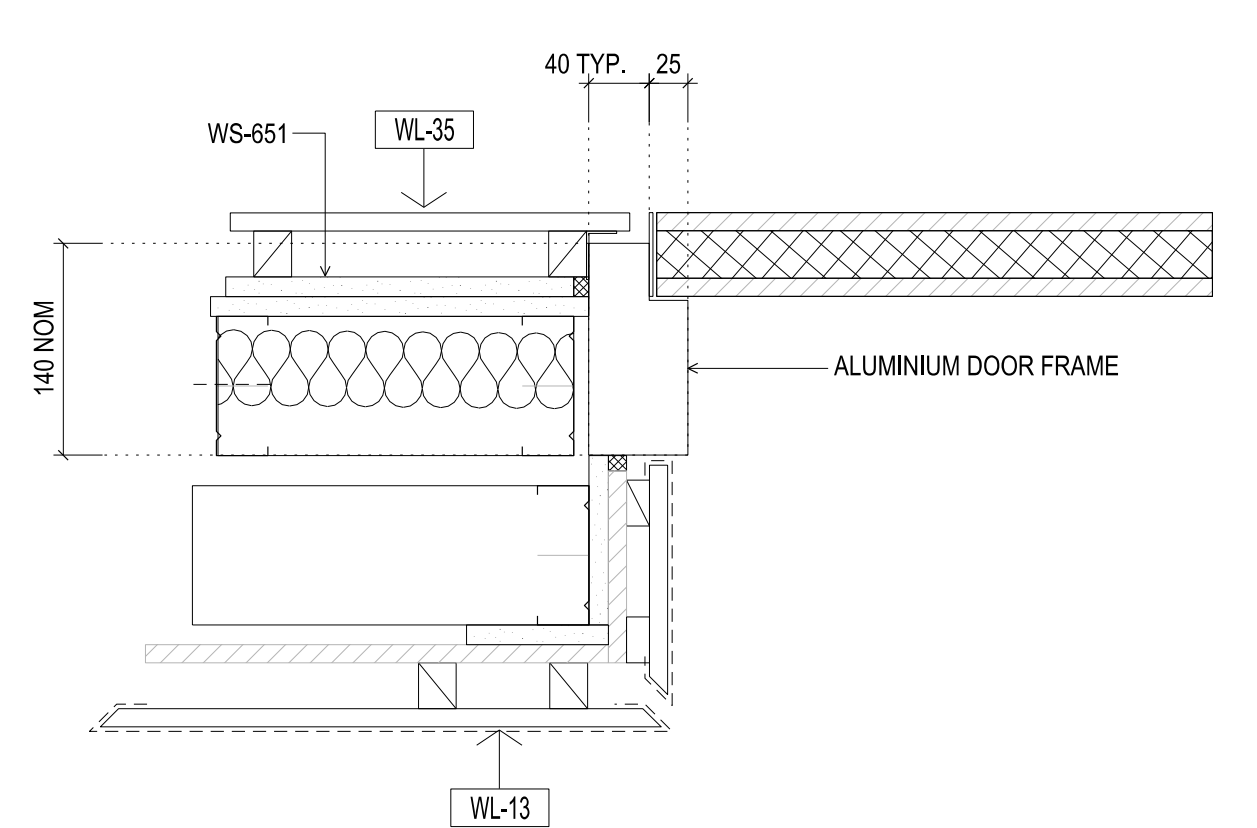
01 DOOR FRAME TYPE A
76 STEEL STUD WITH LINING TO BOTH FACES AND SIDELIGHT
SCALE 1:5

TO SUIT WALL TYPE WS-512 + LINING AND WG-306 DOORS D3-20



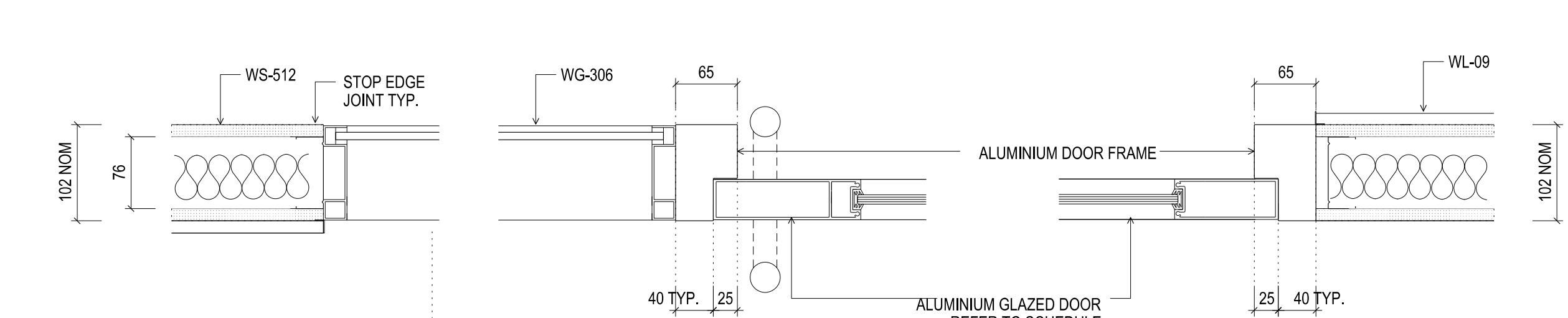
02 DOOR FRAME TYPE A
76 STEEL STUD WITH LINING TO BOTH FACES AND SIDELIGHT
SCALE 1:5

TO SUIT WALL TYPE WS-501 + WG-303,306 DOORS D3-45; D4-42



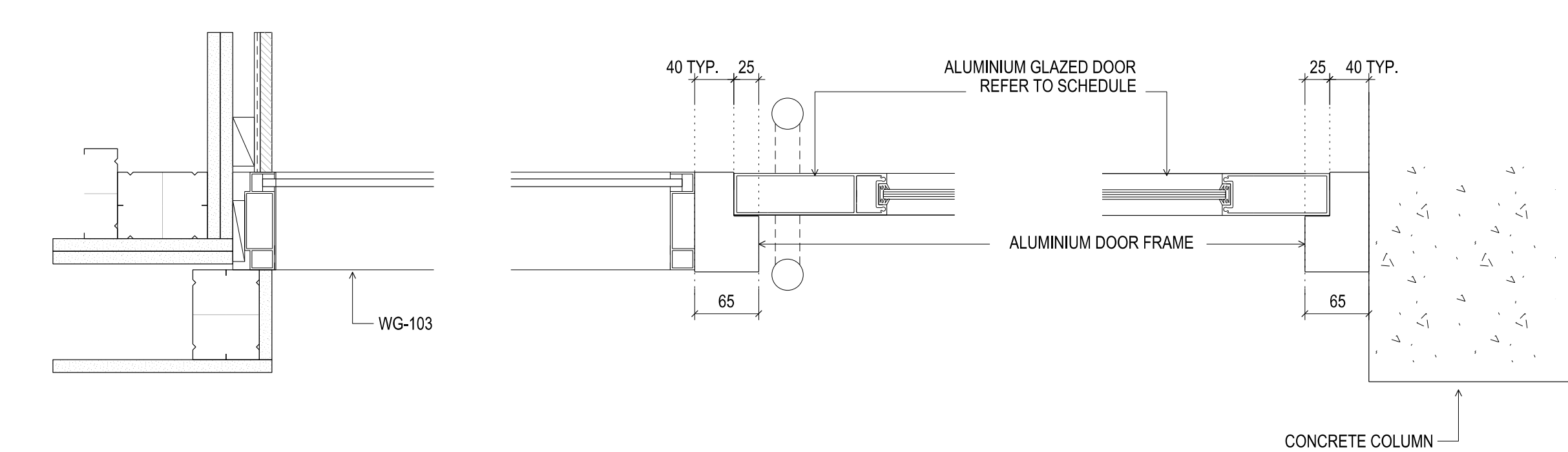
03 DOOR FRAME TYPE A
LECTURE THEATRE DOOR
SCALE 1:5

DOORS DB-15; DB-16; DB-17; DB-18; DB-19; DB-20



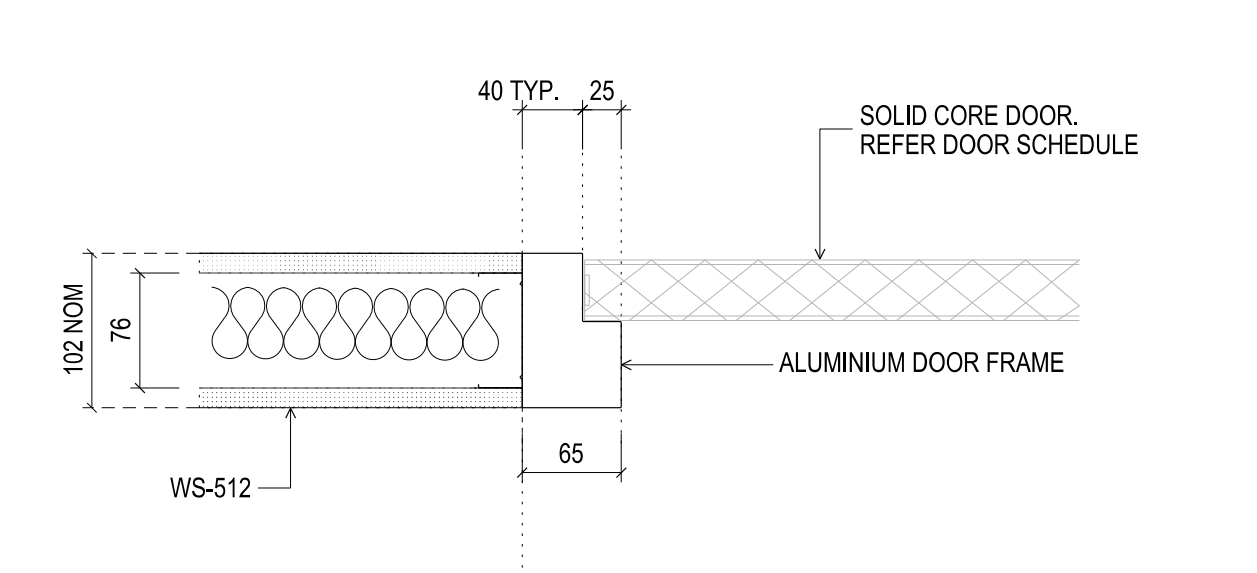
04 DOOR FRAME TYPE A
76 STEEL STUD WITH LINING TO BOTH FACES AND SIDELIGHT
SCALE 1:5

TO SUIT WALL TYPE WS-512 + LINING DOORS D3-40; D4-37



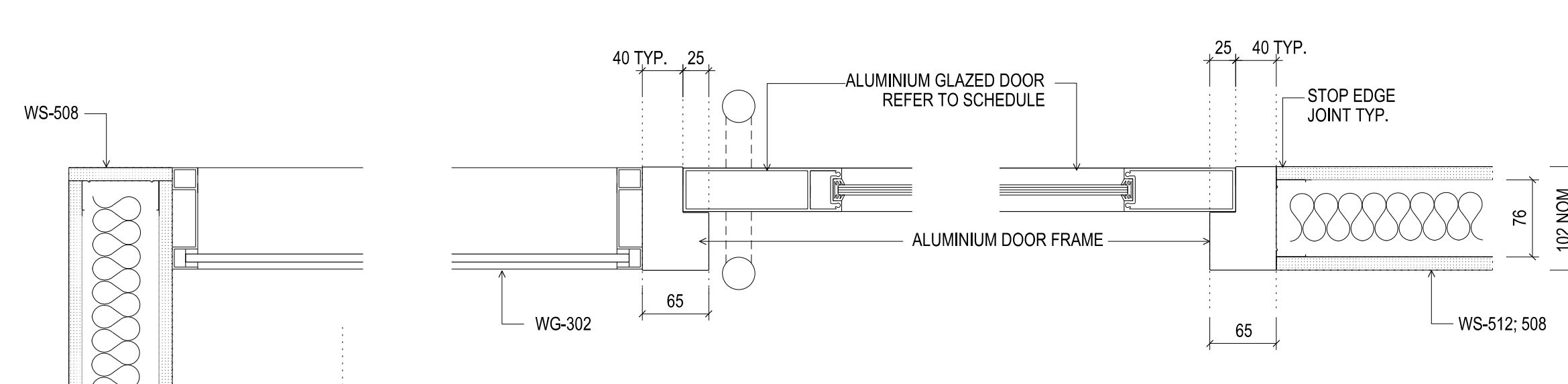
05 DOOR FRAME TYPE A
GLAZED WINDOW TO CONCRETE COLUMN AND SIDELIGHT
SCALE 1:5

TO SUIT WALL TYPE WS-512 + WG-103 DOORS D3-32; D4-29



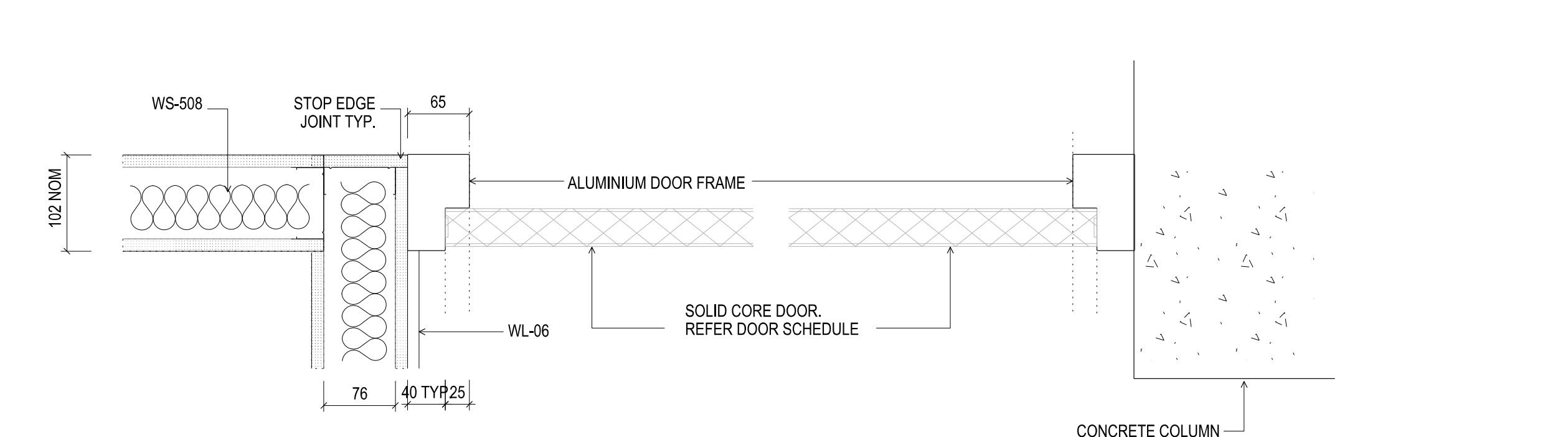
06 DOOR FRAME TYPE A
76 STEEL STUD WITH LINING TO BOTH FACES
SCALE 1:5

TO SUIT WALL TYPE WS-512 DOORS D2-13



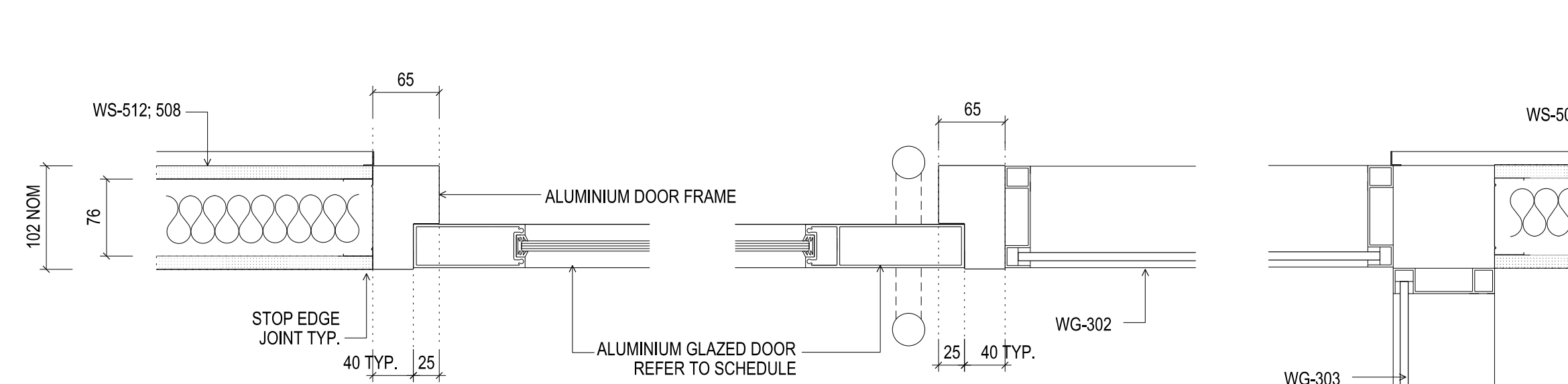
07 DOOR FRAME TYPE A
76 STEEL STUD WITH LINING TO BOTH FACES AND SIDELIGHT
SCALE 1:5

TO SUIT WALL TYPE WS-512 + WG-302 DOORS D3-54



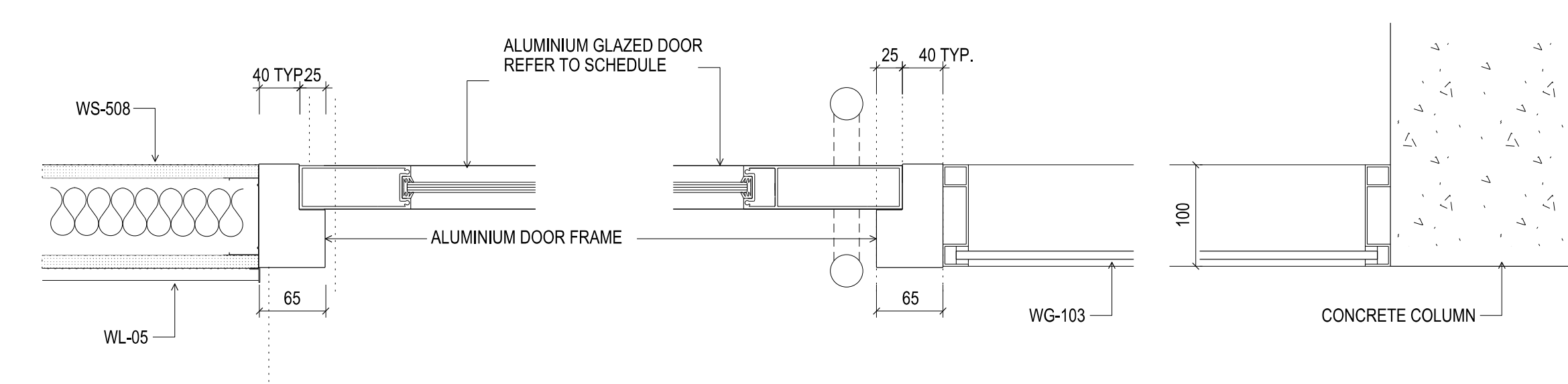
08 DOOR FRAME TYPE A
76 STEEL STUD WITH LINING TO BOTH FACES TO CONCRETE COLUMN
SCALE 1:5

TO SUIT WALL TYPE WS-508 DOORS D3-57; D4-52



09 DOOR FRAME TYPE A
76 STEEL STUD WITH LINING TO BOTH FACES AND SIDELIGHT
SCALE 1:5

TO SUIT WALL TYPE WS-508 + WG-302 DOORS D3-61



10 DOOR FRAME TYPE A
76 STEEL STUD WITH LINING TO BOTH FACES AND SIDELIGHT TO CONCRETE COLUMN
SCALE 1:5

TO SUIT WALL TYPE WS-508 + WG-103 DOORS D3-68; D4-61

Rev	Issue	Revision Description	And	Date
A	SG	ISSUED FOR CONSTRUCTION		21.10.13



NADAAA
 NADAAA
 1020 Washington Street No.2 Boston Massachusetts 02118 USA
 Telephone +1 617 442 8232 Facsimile +1 688 442 1417 Email nad@nadaaa.com

John Wardle Architects
 25 Rokeby Street, Collingwood, Victoria 3066 Australia
 Tel: +61 3 8662 0400 www.johnwardlearchitects.com
 © 2012 John Wardle Architects ABN 83 006 814 268

Client **University of Melbourne Parkville Campus**

Project **Faculty of Architecture Building and Planning**

Title **DOOR JAMB DETAILS SHEET 06**

Project No.	0913	Scale	
Drawing No.	AR7511	Revision	A
Date	Dwn	Co-Ord	Chk

FILENAME - \$FILES
FOR CONSTRUCTION